



Datenblatt - Fiche technique - Data sheet

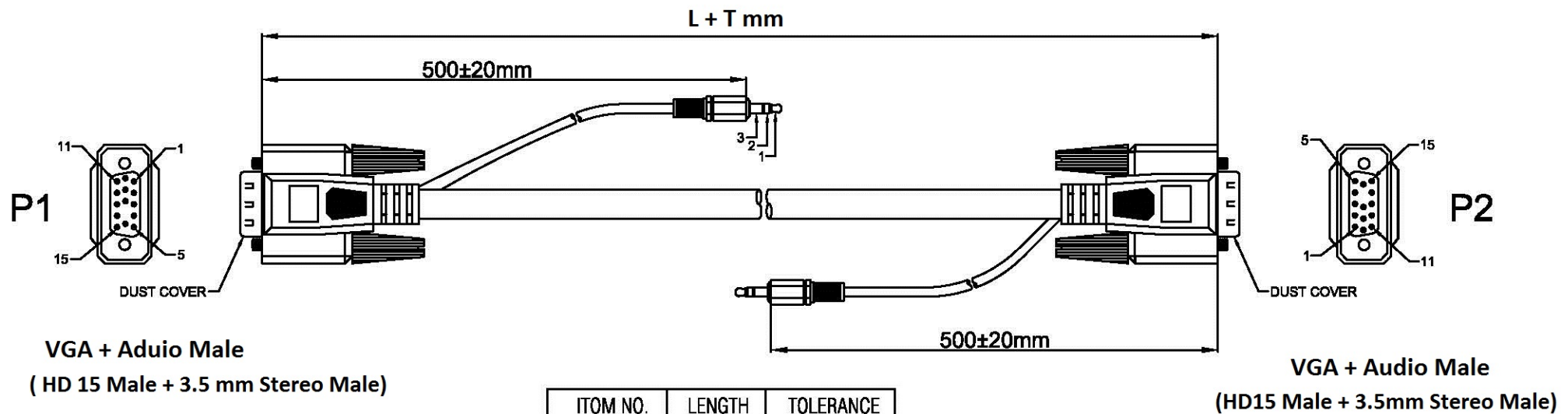
**11.04.5164**



ROLINE Kombikabel, VGA + Audio, ST-ST, 20 m

ROLINE Câble combiné, VGA + Audio, M-M, 20 m

ROLINE Combi Cable, VGA + Audio, M-M, 20 m



ITOM NO.	LENGTH	TOLERANCE
11.04.5162	15000	+100/-0mm
11.04.5164	20000	+100/-0mm

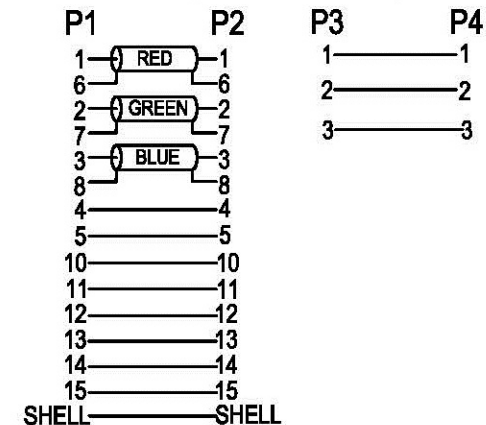
**NOTES:**

- CABLE: A: UL2919 28AWG\*3COAX+24\*11C+AEB OD:8.5 DARK GRAY COLOR PVC JACKET  
B: 28AWG\*2C+S OD:2.8 GRAY COLOR PVC JACKET
- CONN: HDB15M (BLACK INSULATION NICKEL PLATED OUT 9PIN)
- CONN: 3.5 MM STEREO MALE (BLACK INSULATION NICKEL PLATED)
- SCREW: #4-40UNC 2.3\*50MM DARK GRAY
- OUTER MOLD: 45P PVC DARK GRAY

**ELECTRICAL TEST:**

- 100% TEST OPEN SHORT MIS-WIRE
- INSULATION RESISTANCE:5M OHM MIN

**WIRE ADDRESS**



ITEM NO.	11.04.5162, 11.04.5164	Draw	F16	Date	2014.08.26
DESC.	ROLINE Combi Cable, VGA + Audio, M/M, black	Check		Date	
	Unit (MM)	Approval		Date	

**rotronic**

D		
C		
B		
VER. A	REVISE	Date